



Surface Mount Single-Stroke Chimes

Low Current Drain

338 & 339 Series

FEATURES

- > AC or DC models
- > No exposed terminals
- > Tamper-proof cover screw
- > Plastic tipped stainless steel striker
- > Satin aluminum finish

AGENCY APPROVALS

- > UL Listed

The Edwards 338 & 339 are surface mount AC or DC single stroke chimes which can be pulsed up to 10 pulses/second. The chimes are high quality units with underdome construction intended for heavy-duty commercial and industrial use. The chimes require no lubrication.

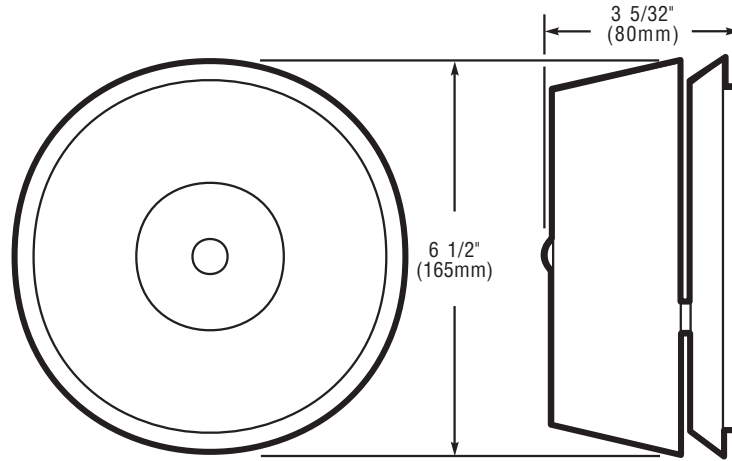
The chimes come complete with an Adaptaplate® mounting plate. The Adaptaplate mounts on any plaster cover with mounting holes on 2 3/4" (70mm) centers, on any single gang opening, on any 3 1/4" (83mm), 3 1/2" (89mm), or 4" (102mm) octagon or square box. Also mounts directly on any wall surface. For flush mounting use Cat. No. 512-A grille (page 5-10) and P-029522 back box.

For paging and scheduling applications requiring a pleasant note with middle range decibel rating. Ideal for offices and stores.

D-04



TECHNICAL INFORMATION



Cat. No.	Volts	Amps	V A	dB at 10 ft
338-G5	24V AC 50/60 Hz	.5	12	81
338-N5	120V AC 50/60 Hz	.1	12	81
339-E1	12V DC	0.6	7.2	81
339-G1	24V DC	.3	7.2	81